

Brass Barrel Check Valves

8 – 12 BAR RATED "YORK"

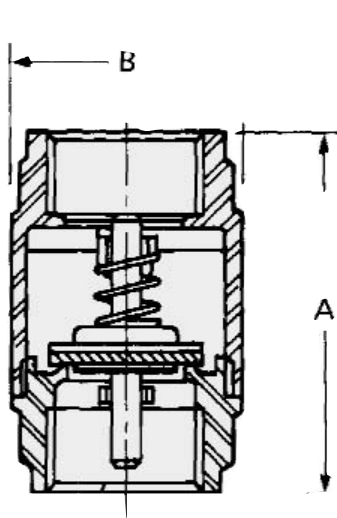


MATERIALS

BODY	=	HOT PRESSED BRASS
CHECK ASSEMBLY	=	NYLON
CHECK SEAL	=	NITRIL
SPRING	=	STAINLESS STEEL
SPRING RATING	=	0.07 BAR / 1PSI
TEMP. RANGE	=	-20°C TO +110°C (AIR) / 0°C TO +110°C (water) / -20°C TO +60°C (gas)
THREAD	=	BSP PARALLEL



Dimensions



SIZE	A	B
3/8"	46.5	34.5
1/2"	47	34.5
3/4"	53	42
1"	60.5	47.5
1 1/4"	66.5	59.5
1 1/2"	74	71
2"	80	86.5
2 1/2"	98	102
3"	103	125
4"	118.5	155

ART 103 - CHECK VALVE "YORK"

ARTICLE NO.		343600	343601	343602	343603	343604	343605	343606	343607	343608	343609
SIZE	BSP	3/8"	1/2"	3/4"	1"	1 1/4"	1 1/2"	2"	2 1/2"	3"	4"
MAX PRESSURE	BAR	12	12	12	12	10	10	10	8	8	8
PRICE	£	£3.50	£3.50	£5.00	£6.50	£9.40	£14.00	£19.80	£37.60	£53.40	£92.80
EURO	€	€4.90	€5.00	€7.00	€9.10	€13.20	€19.60	€27.80	€52.60	€74.70	€130.00



ART 108 - FOOT VALVE "YORK"

ARTICLE NO.		343610	343611	343612	343613	343614	343615	343616	343617	343618	343619
SIZE	BSP	3/8"	1/2"	3/4"	1"	1 1/4"	1 1/2"	2"	2 1/2"	3"	4"
MAX PRESSURE	BAR	10	10	10	10	8	8	8	6	6	6
PRICE	£	£2.80	£2.90	£3.80	£4.80	£6.60	£10.20	£14.50	£27.60	£38.60	£66.50
EURO	€	€3.90	€4.00	€5.30	€6.70	€9.20	€14.30	€20.40	€38.60	€54.10	€93.10



Brass Barrel Check Valves

12 – 25 BAR RATED "EUROPA"



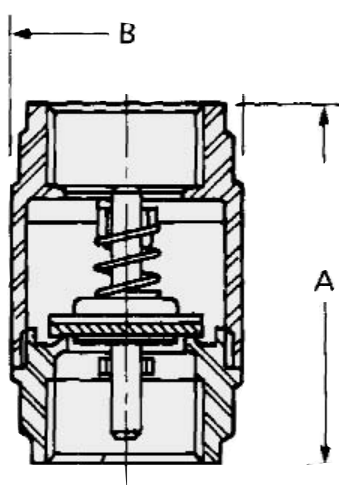
MATERIALS

BODY	=	HOT PRESSED BRASS
CHECK ASSEMBLY	=	304 STAINLESS STEEL PLATE
CHECK SEAL	=	NITRIL - BRASS
SPRING	=	STAINLESS STEEL
SPRING RATING	=	0.07 BAR / 1PSI
TEMP. RANGE	=	-20°C TO +110°C (air) / 0°C TO +90°C (water) / -20°C TO +60°C (gas)
THREAD	=	BSP PARALLEL



CHECK VALVES

Dimensions



SIZE	A	B
3/8"	55	34.5
1/2"	58.5	34.5
3/4"	65	41.5
1"	74.5	48
1 1/4"	83	60.5
1 1/2"	93	71
2"	101	87
2 1/2"	122	120
3"	141.5	140.5
4"	158.5	172.5

ART 100 - CHECK VALVE "EUROPA"

ARTICLE NO.		10070	10071	10072	10073	10074	10075	10076	10077	10078	10079
SIZE	BSP	3/8"	1/2"	3/4"	1"	1 1/4"	1 1/2"	2"	2 1/2"	3"	4"
MAX PRESSURE	BAR	25	25	25	25	18	18	18	12	12	12
PRICE	£	£4.80	£5.00	£6.80	£9.40	£15.00	£20.20	£31.30	£71.30	£107.30	£177.10
EURO	€	€6.80	€6.90	€9.50	€13.20	€21.00	€28.30	€43.90	€99.80	€150.20	€247.90



ART 105 - FOOT VALVE "EUROPA"

ARTICLE NO.		343620	343621	343622	343623	343624	343625	343626	343627	343628	343629
SIZE	BSP	3/8"	1/2"	3/4"	1"	1 1/4"	1 1/2"	2"	2 1/2"	3"	4"
MAX PRESSURE	BAR	25	25	25	25	18	18	18	12	12	12
PRICE	£	£5.80	£6.00	£7.90	£10.70	£16.80	£23.10	£35.30	£82.00	£120.60	£190.60
EURO	€	€8.10	€8.40	€11.10	€14.90	€23.50	€32.40	€49.40	€114.80	€168.80	€266.80



ART 104 - CHECK VALVE "ROMA" - with drain plugs (spring type) & viton Seat

ARTICLE NO		343630	343631	343632	343633	343634	343635	343636	
SIZE	BSP	3/8"	1/2"	3/4"	1"	1 1/4"	1 1/2"	2"	
NB	MM	25	25	25	25	18	18	18	
PRICE	£	£7.30	£7.70	£9.60	£13.20	£18.00	£25.20	£37.30	
EURO	€	€10.20	€10.70	€13.40	€18.50	€25.20	€35.30	€52.30	



Stainless Steel Barrel Check Valves

16 BAR RATED

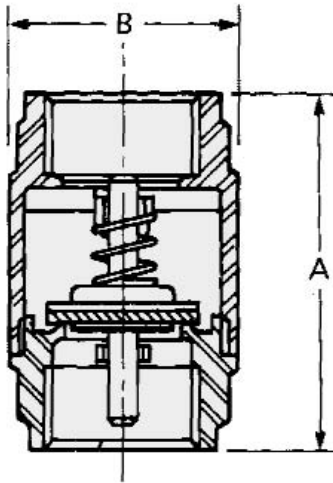
MATERIALS

BODY	=	AISI 316 or AISI 304 Stainless Steel
CHECK ASSEMBLY	=	AISI 316 or AISI 304 Stainless Steel
CHECK SEAL	=	VITON
SPRING	=	AISI 316
SPRING RATING	=	0.03 BAR
TEMP. RANGE	=	-20 TO +150°C
THREAD	=	BSP PARALLEL



CHECK VALVES

Dimensions



SIZE	A	B	WORKING PRESSURE/BAR
3/8"			16
1/2"	60	38	25
3/4"	69	41	25
1"	77	51	25
1 1/4"	97	67	18
1 1/2"	100	76	18
2"	115	85	18
2 1/2"	127	106	12
3"	140	128	12
4"	167	163	12

304 STAINLESS STEEL

ARTICLE NO.	304 SS	410070	410071	410072	410073	410074	410075	410076	410077	410078	410079
SIZE	BSP	3/8"	1/2"	3/4"	1"	1 1/4"	1 1/2"	2"	2 1/2"	3"	4"
MAX PRESSURE	BAR	16	16	16	16	16	16	16	16	16	16
MAX FLOW	LPM	25	30	70	100	200	250	400	600	1000	1500
PRICE	£	£23.40	£21.60	£27.70	£30.60	£45.00	£48.60	£126.00	£180.00	£288.00	£396.00
EURO	€	€32.80	€30.20	€38.80	€42.80	€63.00	€68.00	€176.40	€252.00	€403.20	€554.40



316 STAINLESS STEEL

ARTICLE NO.	316 SS	610070	610071	610072	610073	610074	610075	610076	610077	610078	610079
SIZE	BSP	3/8"	1/2"	3/4"	1"	1 1/4"	1 1/2"	2"	2 1/2"	3"	4"
MAX PRESSURE	BAR	16	16	16	16	16	16	16	16	16	16
MAX FLOW	LPM	25	30	70	100	200	250	400	600	1000	1500
PRICE	£	£41.40	£41.40	£52.20	£61.20	£88.20	£95.40	£180.00	£287.60	£418.90	£629.40
EURO	€	€58.00	€58.00	€73.10	€85.70	€123.50	€133.60	€252.00	€402.60	€586.40	€881.10



'Y' Strainers

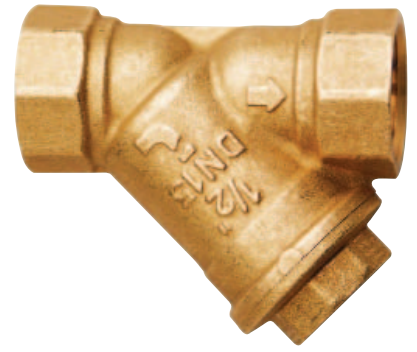
BRASS 'Y' TYPE STRAINER

20 – 16 BAR RATED FILTRATION = 500 MICRON (1/4" - 2")
= 800 MICRON (2 1/4" - 4")

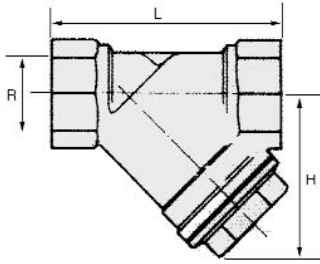
TEMP RANGE = -20°C TO +110°C

SIZES 3" AND 4" ARE BRONZE

NICKEL PLATED – AVAILABLE ON REQUEST



Dimensions



SERIES ART 192

R	BSP	3/8"	1/2"	3/4"	1"	1 1/4"	1 1/2"	2"	2 1/2"	3"	4"
L	mm	55	58	70	90	96	106	126	151	172	219
H	mm	40	40	50	60	68	75	90	114	130	170

ARTICLE NO.		10140	10141	10142	10143	10144	10145	10146	10147	10148	10149	101420
SIZE	BSP	1/4"	3/8"	1/2"	3/4"	1"	1 1/4"	1 1/2"	2"	2 1/2"	3"	4"
MAX PRESSURE	BAR	20	20	20	20	20	20	20	20	16	16	16
PRICE	£	£3.50	£3.50	£3.50	£5.70	£9.10	£13.60	£18.20	£30.20	£54.20	£78.30	£154.30
EURO	€	€4.80	€4.90	€4.90	€8.00	€12.80	€19.10	€25.50	€42.30	€75.90	€109.60	€216.00

316 Stainless Steel 'Y' Type Strainer

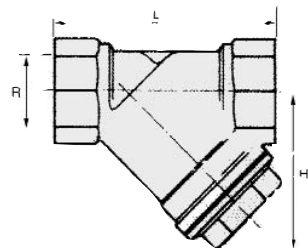
40 BAR RATED

TEMP RANGE = -40°C TO +230°C

STRAINER = 1mm holes, 2mm apart



Dimensions



S/S

R	BSP	1/4"	3/8"	1/2"	3/4"	1"	1 1/4"	1 1/2"	2"
L	mm	57	57	61	70	86	100	111	138
H	mm	32	32	37	41	47	54	62	76

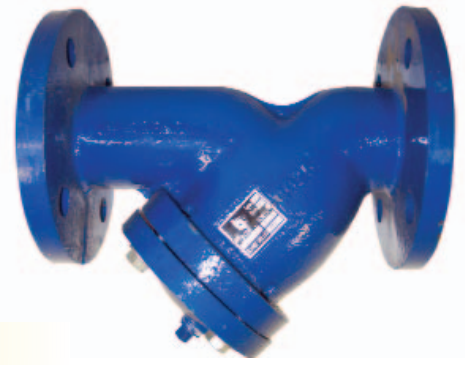
ARTICLE NO.	BSPT			10132T	10133T	10134T	10135T	10136T	10137T			
SIZE	BSPT			1/2"	3/4"	1"	1 1/4"	1 1/2"	2"			
MAX PRESSURE	BAR			40	40	40	40	40	40			
PRICE	£			£29.00	£41.30	£42.60	£52.20	£67.20	£103.80			
EURO	€			€43.40	€61.90	€63.90	€78.30	€100.80	€155.70			

ARTICLE NO.	BSPP	10130	10131	10132	10133	10134	10135	10136	10137			
SIZE	BSP	1/4"	3/8"	1/2"	3/4"	1"	1 1/4"	1 1/2"	2"			
MAX PRESSURE	BAR	40	40	40	40	40	40	40	40			
PRICE	£	£22.10	£22.10	£22.10	£30.00	£40.90	£64.00	£81.10	£125.10			
EURO	€	€33.20	€33.20	€33.20	€45.00	€61.40	€96.00	€121.70	€187.70			

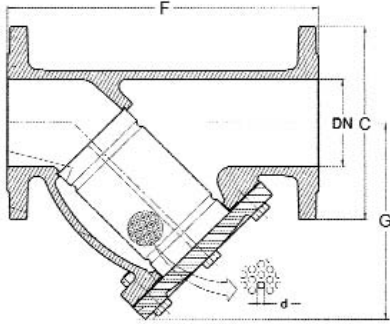
Cast Iron 'Y' Strainer Flanged BS4504 - PN16

MATERIALS

- BODY = GG25 CAST IRON
- COVER = GG25 CAST IRON
- FILTER SCREEN = 304 STAINLESS STEEL
- DRAIN PLUG ON BONNET



Dimensions



SIZE	2"	2 1/2"	3"	4"	5"	6"	8"	10"	12"
DN	50	65	80	100	125	150	200	250	300
F	230	290	310	350	400	480	600	730	850
C	165	185	200	220	250	285	340	405	460
G	120	140	165	220	260	300	360	470	560

Screen mesh 'd' = 0.6mm

ARTICLE NO.		24910	24912	24914	24918	24919	24920	24921	24922	24923		
SIZE		2"	2 1/2"	3"	4"	5"	6"	8"	10"	12"		
MAX PRESSURE	BAR	16	16	16	16	16	16	16	16	16		
PRICE		ON REQUEST										

316 Stainless Steel 'Y' Strainer Flanged BS4504-PN16

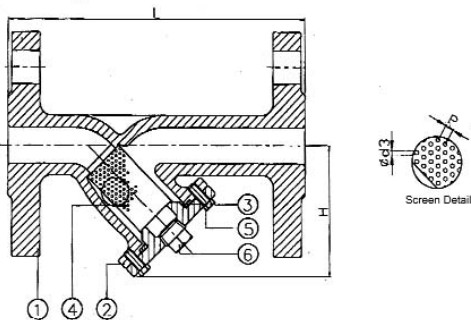
16 BAR RATED

MATERIALS

- BODY = CF8M STAINLESS STEEL
- COVER = CF8M STAINLESS STEEL
- SEAL = PTFE
- FILTER SCREEN = 316 STAINLESS STEEL
- BOLT = 304 STAINLESS STEEL
- PLUG = CF8M STAINLESS STEEL



Dimensions



DN	d3	P
15 ~ 50	1	2
65 ~ 150	2	3.5
200~	3	4.5

SIZE	2"	2 1/2"	3"	4"	5"	6"	8"
DN	50	65	80	100	125	150	200
L	230	290	310	350	400	480	600
H	167	183	200	230	280	316	450

ARTICLE NO.		39710	39712	39714	39718	39720	39721					
SIZE		2"	2 1/2"	3"	4"	6"	8"					
MAX PRESSURE	BAR	16	16	16	16	16	16					
PRICE		ON REQUEST										

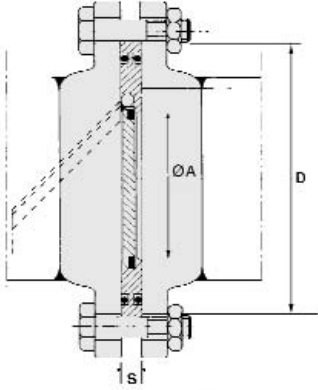
Carbon Steel Wafer Pattern Check Valves 16 BAR RATED

MATERIALS

BODY = CARBON STEEL ZINC PLATED
CHECK SEAL = NITRIL
TEMP. RANGE = -10 TO +100°C



Dimensions



SIZE	2"	2 1/2"	3"	4"	5"	6"	8"	10"
D	109	129	144	164	195	221	276	330
S	15	15	17	17	18	21	28.5	33.5
ØA	28	41	50	75	96	118	155	200
Kg	1.04	1.42	1.8	2.2	3.2	4.5	9.8	15.8

ARTICLE NO.		060010	060011	060012	060013	060014	060015	060016	060017	60018			
SIZE		2"	2 1/2"	3"	4"	5"	6"	8"	10"	12"			
MAX PRESSURE	BAR	16	16	16	16	16	16	16	16	16			
PRICE		ON REQUEST											

Stainless Steel Wafer Pattern Check Valves 16 BAR RATED

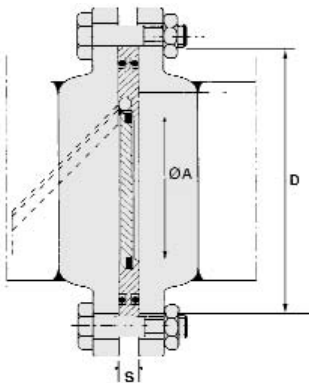
MATERIALS

BODY = 316 STAINLESS STEEL
CHECK SEAL = VITON
TEMP. RANGE = -10 TO +160°C



FOR BS4504 – PN16 FLANGES

Dimensions



SIZE	2"	2 1/2"	3"	4"	5"	6"	8"	10"
D	109	129	144	164	196	220	275	332
S	14	14	14	18	18	20	22	26
ØA	32	40	54	70	92	112	154	200

ARTICLE NO.		343501	343502	343503	343504	343505	343506	343507	343508	343510			
SIZE		2"	2 1/2"	3"	4"	5"	6"	8"	10"	12"			
MAX PRESSURE	BAR	16	16	16	16	16	16	16	16	16			
PRICE		ON REQUEST											

Cast Iron Swing Check Valves Flanged BS4504 - PN16

16 BAR RATED

MANUFACTURED TO BS 5153

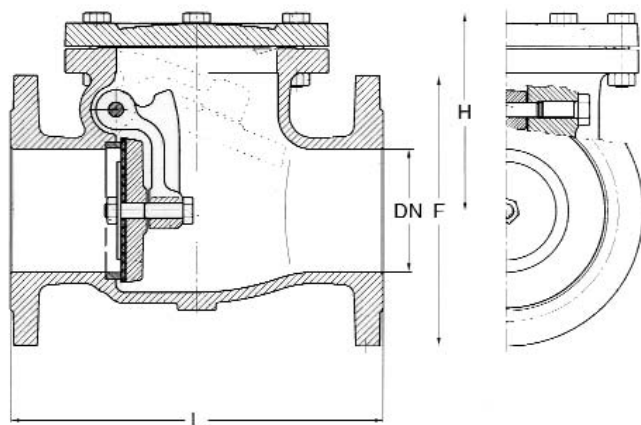
MATERIALS

BODY = GG25 CAST IRON

SEAT RINGS = BRONZE



Dimensions



SIZE	2"	2 1/2"	3"	4"	5"	6"	8"	10"	12"
DN	50	65	80	100	125	150	200	250	300
F	165	185	200	220	250	285	340	405	460
L	20203	216	241	292	330	356	495	622	699
H	113	140	159	181	254	279	343	406	488
Kg	12	17.5	29.4	37	56.2	72.4	122.7	201.5	291

ARTICLE NO.		247210	247212	247214	247218	247219	247220	247221	247222	247223			
SIZE		2"	2 1/2"	3"	4"	5"	6"	8"	10"	12"			
MAX PRESSURE	BAR	16	16	16	16	16	16	16	16	16			
PRICE	£	£53.80	£61.80	£73.60	£118.40	£169.60	£201.70	£324.70	£553.00	£796.40			
EURO	€	€80.60	€92.70	€110.30	€177.60	€254.40	€302.60	€487.00	€829.50	€1194.50			

Also available in stainless steel – prices available on request

Swing Check Valves

BRASS BODY

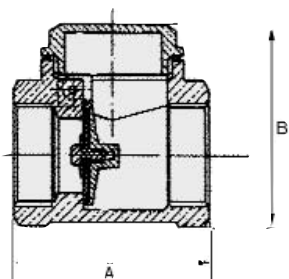
8 – 12 BAR RATED - SINGLE ACTING CHECK VALVE

BRASS CONSTRUCTION TEMP RANGE = -20°C TO +110°C

AVAILABLE WITH NITRIL SOFT SEAT UP TO SIZE 2" AS STANDARD



Dimensions



SERIES ART 130

SIZE	BSP	3/8"	1/2"	3/4"	1"	1 1/4"	1 1/2"	2"	2 1/2"	3"	4"
A	mm	43	43	52	62	72	81	94	119	134	169
B	mm	50	50	59.5	68	77	88	100	128	148	185

ARTICLE NO.		10080	10081	10082	10083	10084	10085	10086	10087	10088	10089		
SIZE	BSP	3/8"	1/2"	3/4"	1"	1 1/4"	1 1/2"	2"	2 1/2"	3"	4"		
MAX PRESSURE	BAR	12	12	12	12	10	10	10	8	8	8		
MAX FLOW	LPM	25	30	70	80	180	210	360	480	960	1200		
PRICE	£	£5.10	£4.70	£6.60	£10.10	£14.70	£19.10	£27.10	£49.10	£69.00	£128.10		
EURO	€	€7.10	€6.60	€9.20	€14.10	€20.60	€26.70	€37.90	€68.80	€96.60	€179.40		

Swing Check Valves

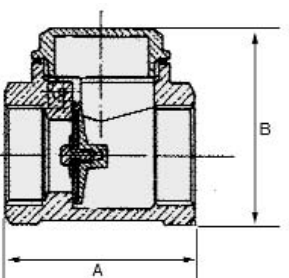
STAINLESS STEEL

10 BAR /145 PSI RATED - SINGLE ACTING CHECK VALVE

TEMP RANGE = -30°C TO +200°C



Dimensions



SIZE	BSP	1/4"	3/8"	1/2"	3/4"	1"	1 1/4"	1 1/2"	2"
A	mm	66	66	66	81	91	106.5	121	142
B	mm	46	46	46	54	60	72	75	82

ARTICLE NO.	BSPP	710079	710080	710081	710082	710083	710084	710085	710086				
SIZE		1/4"	3/8"	1/2"	3/4"	1"	1 1/4"	1 1/2"	2"				
PRICE	£	£57.30	£57.30	£57.30	£68.00	£85.90	£126.60	£152.60	£187.90				
EURO	€	€85.90	€85.90	€85.90	€102.10	€128.80	€189.80	€228.80	€281.90				

ARTICLE NO.	BSPT	910079	910080	910081	910082	910083	910084	910085	910086				
SIZE		1/4"	3/8"	1/2"	3/4"	1"	1 1/4"	1 1/2"	2"				
PRICE	£	£45.10	£45.10	£45.10	£50.90	£62.00	£77.10	£103.40	£145.20				
EURO	€	€67.70	€67.70	€67.70	€76.30	€93.00	€115.60	€155.10	€217.80				

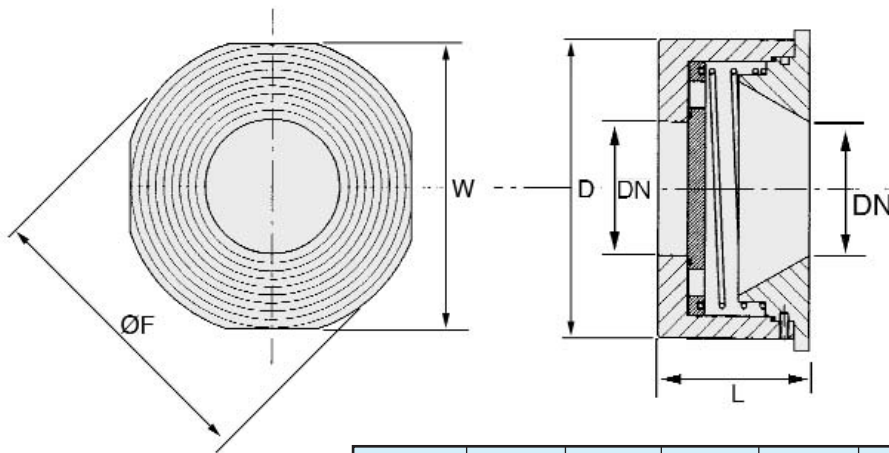
Stainless Steel Sprung Disc Wafer Pattern Check Valve Suits Flanges BS4504 - PN10/16/25 40 BAR RATED



MATERIALS

BODY = 316 STAINLESS STEEL - CF8M
 DISC/RETAINER = AISI 316 S/S
 SEAT = METAL/METAL
 SUITS BS4504 – PN10/16/25 FLANGES (NOT SUITABLE FOR ANSI FLANGES)

Dimensions



SIZE	L	W	ØF	DN	Kg
1/2"	16	45	53	15	0.1
3/4"	19	55	63	20	0.16
1"	22	65	73	25	0.28
1 1/4"	28	78	84	32	0.52
1 1/2"	30	88	94	40	0.7
2"	40	98	107	50	1.1
2 1/2"	46	118	126	65	1.58
3"	50	134	144	80	1.78
4"	60	154	162	100	3.3

ARTICLE NO.		510042	510043	510044	510045	510046	510047	510048	510049	510050			
SIZE		1/2"	3/4"	1"	1 1/4"	1 1/2"	2"	2 1/2"	3"	4"			
MAX PRESSURE	BAR	40	40	40	40	40	40	40	40	40			
PRICE	£	£28.90	£34.70	£46.20	£65.80	£80.90	£104.00	£173.30	£265.70	£311.90			
EURO	€	€43.30	€52.00	€69.30	€98.80	€121.30	€155.90	€259.90	€398.50	€467.80			

FEATURES

- **Shut-off system:** valve with elastomeric seal – soft seating
- The elastomeric seal guarantees perfect and reliable sealing
- Standard setting 0.35 BAR (5 PSI)
- Other settings and kits to update crack pressure available up to 9.5 BAR (138 PSI)
- Versions with female threads (VU...F series)
- Versions with male threads (VU...M series)
- Special versions available on request



VU...M



VU...F

Technical Data

Size ❖	DN Nominal diameter		Rated flow		Max. work pressure *		Minimum burst pressure				
	mm	inc.	l/min	GPM	BAR	PSI	Valve		Threads		
							MPa	PSI	MPa	PSI	
1/4"	04	7	0.28	30	7.9	560	6162	170	24650	300	43500
3/8"	06	9,5	0.37	45	11.9	465	5075	140	20300	250	36250
1/2"	08	11	0.41	68	18	400	4350	120	17400	250	36250
3/4"	12	17	0.67	162	42.8	330	3625	100	14500	200	29000
1"	16	19	0.75	315	83.3	325	3552	98	14210	160	23200
1 1/4"	20	24	0.94	290	76.7	300	3262	90	13050	110	15950
1 1/2"	24	31	1.22	763	207	265	2900	80	11600	120	17400
2"	32	50	1.97	760	201	175	1885	52	7540	80	11800

* Safety factor = 1:3 - For static pressure safety factor 1:2

Pressure drop graph:

test bench to ISO 7241-2 specifications with ISO VG 32 oil at 40°C (104°F).

Materials:

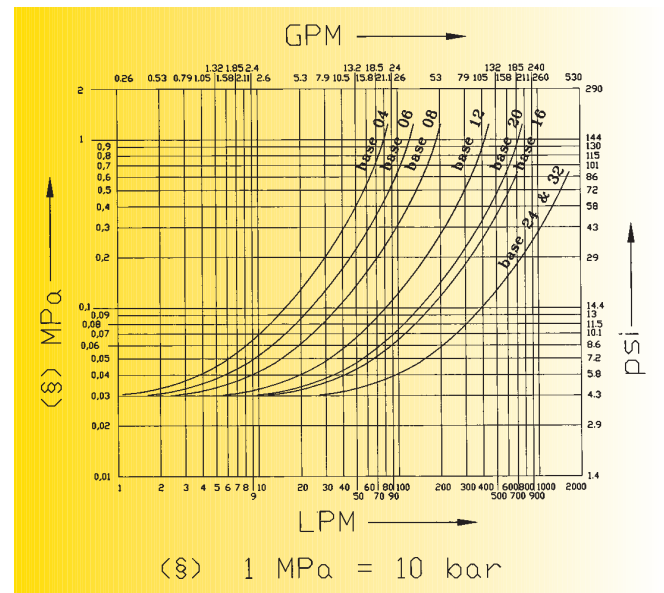
- Steel.
- On request: AISI 316 Stainless steel and brass.
- Surface treatment:
zinc and yellow passivated.
- Springs in C98 steel.

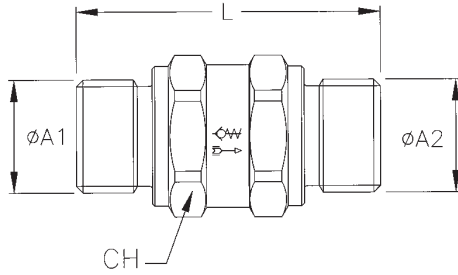
Seals:

standard in oil proof NBR (Nitrile Rubber).
On request: Viton, Neoprene, EPDM or other seals.

Working temperatures:

with standard seals in NBR (nitrile rubber) from -25°C (-13°F) to +125°C (+257°F).
For temperature exceeding these values, the check valve will be supplied with all components in steel and the appropriate seals.





CHECK VALVES

Size	Code	Thread Ø A1 (inlet)	Thread Ø A2 (outlet)	Standards	L		CH	
					mm	inc.	mm	inc.
04	VU 14M 14M	1/4" BSP	1/4" BSP	DIN 3852-2-X	50	1,97	22	0,87
	*VU 14MN 14MN	1/4" NPTF	1/4" NPTF	ANSI B1.20.3	50	1,97	22	0,87
	*VU 14MJ 14MJ	1/4" JPT	1/4" JPT	JIS B0203	50	1,97	22	0,87
	*VU 14MS 14MS	7/16" UNF	7/16" UNF	SAE J1926-1	50	1,97	22	0,87
06	VU 38M 38M	3/8" BSP	3/8" BSP	DIN 3852-2-X	51	2	22	0,87
	VU 38MN 38MN	3/8" NPTF	3/8" NPTF	ANSI B1.20.3	51	2	22	0,87
	*VU 38MJ 38MJ	3/8" JPT	3/8" JPT	JIS B0203	51	2	22	0,87
	*VU 38MS 38MS	9/16" UNF	9/16" UNF	SAE J1926-1	51	2	22	0,87
08	VU 12M 12M	1/2" BSP	1/2" BSP	DIN 3852-2-X	55	2,16	27	1,06
	*VU 12MN 12MN	1/2" NPTF	1/2" NPTF	ANSI B1.20.3	55	2,16	27	1,06
	*VU 12MJ 12MJ	1/2" JPT	1/2" JPT	JIS B0203	55	2,16	27	1,06
	*VU 12MS 12MS	3/4" UNF	3/4" UNF	SAE J1926-1	55	2,16	27	1,06

❖ Size GAS = BSP *On request

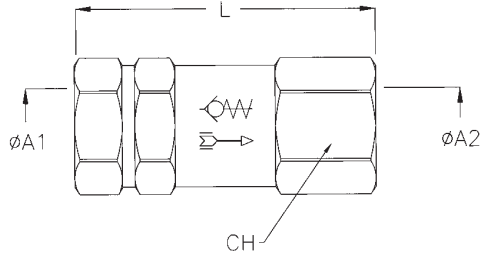
Check valves with mixed threads are available on request (example VU14M 14MJ = Inlet thread 1/4" BSP => Outlet thread 7/16" UNF).

ARTICLE NO.	BSP	VU14M	VU38M	VU12M															
ARTICLE NO.	NPT	VU14MN	VU38MN	VU12MN															
BASE SIZE		04	06	08															
SIZE ØA1		1/4"	3/8"	1/2"															
PRICE	£	£9.00	£9.80	£10.50															
EURO	€	€12.60	€13.70	€14.70															

VU...F and VU...M check valves are available with the settings specified below. (Other special settings are available on request).

Settings	A	standard	B	C	D	E	F	G	H	I	L	M	O	P	Q	R	T	U	X	Y	Z	
BAR	10	0.35	0.50	0.100	15	2.0	2.5	3.0	3.5	4.0	4.5	5.0	5.5	6.0	6.5	7.0	7.5	8.0	8.5	9.0	9.5	
PSI	1,5	5	7,3	14,5	21,8	29	36,3	43,5	50,8	58	65	73	80	87	94	102	109	116	123	131	138	
SIZE	AVAILABLE SETTINGS																					
1/4" 04	X	X	X	X	(*)	X	(*)	X	(*)	X	X	X	(*)	(*)	(*)	(*)	(*)	(*)	-	-	-	
3/8" 06	(*)	X	X	X	X	X	X	X	(*)	X	X	X	(*)	X	(*)	(*)	(*)	(*)	(*)	-	-	-
1/2" 08	(*)	X	X	X	X	X	(*)	X	X	X	X	X	(*)	X	(*)	(*)	(*)	X	(*)	(*)	X	
3/4" 12	(*)	X	X	X	X	X	(*)	X	X	(*)	X	X	(*)	X	(*)	(*)	(*)	X	(*)	(*)	(*)	
1" 16	X	X	X	X	(*)	X	X	X	(*)	X	X	X	(*)	(*)	X	(*)	(*)	X	(*)	(*)	X	
1-1/4" 20	X	X	X	X	X	X	(*)	X	(*)	X	X	X	(*)	(*)	(*)	(*)	(*)	X	(*)	(*)	(*)	
1-1/2" 24	(*)	X	X	X	X	X	(*)	X	(*)	X	(*)	X	(*)	(*)	(*)	(*)	(*)	(*)	(*)	(*)	(*)	
2" 32	(*)	X	X	X	X	X	X	X	(*)	X	X	X	(*)	(*)	(*)	(*)	(*)	X	(*)	X	(*)	
A	standard	B	C	D	E	F	G	H	I	L	M	O	P	Q	R	T	U	X	Y	Z		

(*) On request
Example: VU 14F 14F C = 1/4" check valve 100 kPa setting.



Size	Code	Thread Ø A1 (inlet)	Thread Ø A2 (outlet)	Standards	L		CH	
					mm	inc.	mm	inc.
04	VU 14F 14F VU 14FN 14FN VU 14FJ 14FJ *VU 14FS 14FS	1/4" BSP	1/4" BSP	DIN 3852-2-X	50	1,97	19	0,75
		1/4" NPTF	1/4" NPTF	ANSI B1.20.3	50	1,97	19	0,75
		1/4" JPT	1/4" JPT	JIS B0203	50	1,97	19	0,75
		7/16" UNF	7/16" UNF	SAE J1926-1	50	1,97	19	0,75
06	VU 38F 38F VU 38FN 38FN VU 38FJ 38FJ *VU 38FS 38FS	3/8" BSP	3/8" BSP	DIN 3852-2-X	60	2,36	24	0,94
		3/8" NPTF	3/8" NPTF	ANSI B1.20.3	60	2,36	24	0,94
		3/8" JPT	3/8" JPT	JIS B0203	60	2,36	24	0,94
		9/16" UNF	9/16" UNF	SAE J1926-1	60	2,36	24	0,94
08	VU 12F 12F VU 12FN 12FN VU 12FJ 12FJ VU 12FS 12FS	1/2" BSP	1/2" BSP	DIN 3852-2-X	70	2,76	27	1,06
		1/2" NPTF	1/2" NPTF	ANSI B1.20.3	70	2,76	27	1,06
		1/2" JPT	1/2" JPT	JIS B0203	70	2,76	27	1,06
		3/4" UNF	3/4" UNF	SAE J1926-1	70	2,76	27	1,06
12	VU 34F 34F VU 34FN 34FN *VU 34FJ 34FJ *VU 34FS 34FS	3/4" BSP	3/4" BSP	DIN 3852-2-X	86	3,39	34	1,34
		3/4" NPTF	3/4" NPTF	ANSI B1.20.3	86	3,39	34	1,34
		3/4" JPT	3/4" JPT	JIS B0203	86	3,39	34	1,34
		1 1/16" UN	1 1/16" UN	SAE J1926-1	86	3,39	34	1,34
16	VU 1F 1F VU 1FN 1FN *VU 1FJ 1FJ *VU 1FS 1FS	1" BSP	1" BSP	DIN 3852-2-X	100	3,94	41	1,61
		1" NPTF	1" NPTF	ANSI B1.20.3	100	3,94	41	1,61
		1" JPT	1" JPT	JIS B0203	100	3,94	41	1,61
		1 5/16" UN	1 5/16" UN	SAE J1926-1	100	3,94	41	1,61
20	VU 114F 114F VU 114FN 114FN *VU 114FJ 114FJ *VU 114FS 114FS	1 1/4" BSP	1 1/4" BSP	DIN 3852-2-X	130	5,12	50	1,97
		1 1/4" NPTF	1 1/4" NPTF	ANSI B1.20.3	130	5,12	50	1,97
		1 1/4" JPT	1 1/4" JPT	JIS B0203	130	5,12	50	1,97
		1 5/8" UN	1 5/8" UN	SAE J1926-1	130	5,12	50	1,97
24	VU 112F 112F VU 112FN 112FN *VU 112FJ 112FJ *VU 112FS 112FS	1 1/2" BSP	1 1/2" BSP	DIN 3852-2-X	145	5,71	60	2,36
		1 1/2" NPTF	1 1/2" NPTF	ANSI B1.20.3	145	5,71	60	2,36
		1 1/2" JPT	1 1/2" JPT	JIS B0203	145	5,71	60	2,36
		1 7/8" UN	1 7/8" UN	SAE J1926-1	145	5,71	60	2,36
32	VU 2F 2F VU 2FN 2FN *VU 2FJ 2FJ *VU 2FS 2FS	2" BSP	2" BSP	DIN 3852-2-X	160	6,30	75	2,95
		2" NPTF	2" NPTF	ANSI B1.20.3	160	6,30	75	2,95
		2" JPT	2" JPT	JIS B0203	160	6,30	75	2,95
		2 1/2" UN	2 1/2" UN	SAE J1926-1	160	6,30	75	2,95

Size GAS = BSP *On request

ARTICLE NO.	BSP	VU14F	VU38F	VU12F	VU34F	VU10F	VU114F	VU112F	VU2F			
ARTICLE NO.	NPT	203002N	203003N	203004N	203005N	203006N	203016N	203008N	203009N			
BASE SIZE		04	06	08	12	16	20	24	32			
PRESSURE	BAR	560	465	400	330	325	300	365	175			
SIZE		1/4"	3/8"	1/2"	3/4"	1"	1 1/4"	1 1/2"	2"			
PRICE	£	£7.70	£8.40	£9.50	£17.60	£26.80	£49.80	£68.00	£132.60			
EURO	€	€11.20	€12.20	€13.70	€25.50	€38.70	€72.10	€98.40	€192.00			

Inline Non-return Valves FT260 Series 350 BAR RATED

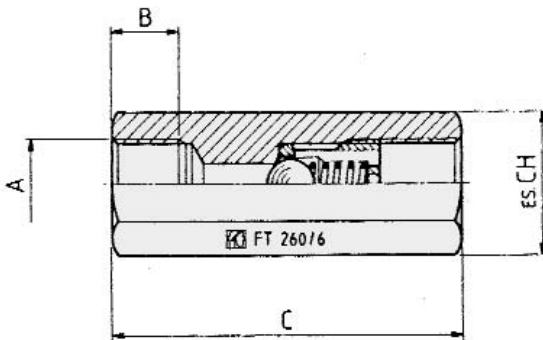


MATERIALS

BODY	=	STEEL 9Mn28K or 316 STAINLESS STEEL
CHECK VALVE	=	STEEL BALL or 316 STAINLESS STEEL
CHECK GUIDE	=	NYLON
SPRING	=	SPRING STEEL AISI 302 or 316 STAINLESS STEEL
SPRING RATING	=	0.35 BAR or 4.5 BAR
TEMP. RANGE	=	-20 TO +100°C
THREAD	=	BSP FEMALE

VALVE IS SEATED METAL TO METAL BY MEANS OF A SPRING LOADED BALL HOUSED IN A NYLON GUIDE

Dimensions



SIZE	B	C	CH	WEIGHT kg
1/8"	8.5	41	16	0.054
1/4"	12.5	54	19	0.089
3/8"	13	65	24	0.175
1/2"	16	77	30	0.310
3/4"	20	88	36	0.450
1"	23	108.5	46	0.965

STEEL VALVE 0.35 BAR SPRING RATED

ARTICLE NO.	STEEL	203001	203002	203003	203004	203005	203006			
SIZE	BSP	1/8"	1/4"	3/8"	1/2"	3/4"	1"			
MAX PRESSURE	BAR	350	350	350	350	350	350			
MAX FLOW	LPM	10	15	30	55	80	110			
PRICE	£	£9.90	£7.10	£9.00	£12.60	£17.70	£28.40			
EURO	€	€13.80	€10.00	€12.60	€17.60	€24.80	€39.80			

STEEL VALVE 4.5 BAR SPRING RATED

ARTICLE NO.	STEEL		403002	403003	403004	403005	403006			
SIZE	BSP		1/4"	3/8"	1/2"	3/4"	1"			
MAX PRESSURE	BAR		350	350	350	350	350			
MAX FLOW	LPM		15	30	55	80	110			
PRICE	£		£7.10	£9.00	£12.60	£17.70	£28.40			
EURO	€		€10.00	€12.60	€17.60	€24.80	€39.80			

316 STAINLESS STEEL 0.35 BAR SPRING RATED

ARTICLE NO.	316 S/S	203040	203041	203042	203043	203044	303045			
SIZE	BSP	1/8"	1/4"	3/8"	1/2"	3/4"	1"			
MAX PRESSURE	BAR	350	350	350	350	350	350			
MAX FLOW	LPM	10	15	30	55	80	110			
PRICE	£	£29.20	£27.80	£36.90	£44.20	£64.20	£93.70			
EURO	€	€40.90	€39.00	€51.70	€61.90	€89.80	€131.20			



Inline Non-return Valves FT257 Series



320 – 400 BAR RATED

MATERIALS

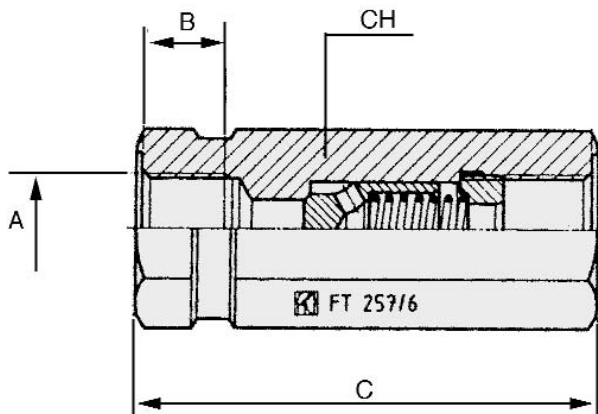
BODY	=	STEEL 9SMn28K or 316 STAINLESS STEEL
CHECK VALVE	=	STEEL CONE or 316 STAINLESS STEEL
SPRING	=	SPRING STEEL AISI 302 or 316 S/S
SPRING RATING	=	0.35 BAR or either 2 BAR / 4 BAR / 6 BAR / 8 BAR
TEMP. RANGE	=	-20 TO +200°C
THREAD	=	BSP FEMALE



VALVE IS SEATED METAL TO METAL BY MEANS OF A MACHINED CONE/SPOOL

CHECK VALVES

Dimensions



SIZE	B	C	CH	WEIGHT kg
1/8"	8.5	46	17	0.080
1/4"	12.5	63	22	0.163
3/8"	12.5	69	27	0.257
1/2"	15.5	80.5	32	0.412
3/4"	17	99.5	36	0.590
1"	20	117	46	1.150
1 1/4"	22	134.5	55	1.85
1 1/2"	24	159	65	3.13
2"	27	198	75	4.90

CARBON STEEL WITH 0.35 BAR SPRING

ARTICLE NO.	STEEL	203010	203011	203012	203013	203014	203015	203016	203017	203018
SIZE	BSP	1/8"	1/4"	3/8"	1/2"	3/4"	1"	1 1/4"	1 1/2"	2"
MAX PRESSURE	BAR	400	400	400	400	400	400	400	320	320
MAX FLOW	LPM	10	20	40	65	90	110	225	300	550
PRICE	£	£9.10	£10.70	£12.10	£13.00	£18.20	£28.30	£46.70	£132.80	£155.90
EURO	€	€12.50	€15.00	€16.90	€18.20	€25.50	€39.60	€65.40	€185.90	€218.20

AVAILABLE WITH 2, 4, 6 OR 8 BAR SPRING - SUFFIX PART NUMBER WITH RATING @ +10% ADDITIONAL COST

316 STAINLESS STEEL WITH 0.35 BAR SPRING

ARTICLE NO.	316 S/S	223045	203045	203046	203047	203048	203049	203050	203051	203052
SIZE	BSP	1/8"	1/4"	3/8"	1/2"	3/4"	1"	1 1/4"	1 1/2"	2"
MAX PRESSURE	BAR	400	400	400	400	400	400	400	320	320
MAX FLOW	LPM	10	20	40	65	90	110	225	300	550
PRICE	£	£60.90	£51.50	£57.10	£68.70	£85.20	£174.00	£244.10	£603.50	£794.60
EURO	€	€85.20	€72.20	€80.00	€96.20	€119.30	€243.50	€341.80	€844.80	€1112.40



316 Stainless Steel Check Valves

700 BAR / 10,000 psi Rated

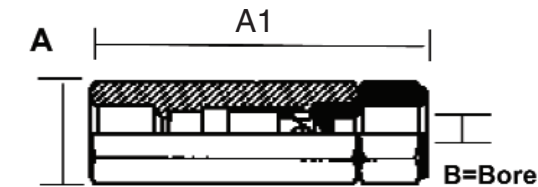
Cracking pressure = 4psi / 0.27BAR



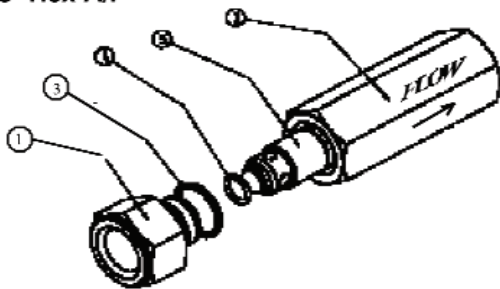
CHECK VALVES

Design Features

- Soft seal for bubble tight closing
- Prevents reverse flow in circuits
- Low pressure differential to effect seal
- Stainless Steel spring for long life
- Large bore for improved flow through the valve
- Choice of thread forms
- Versatile design for Male/Female or compression ends
- Can be used on vent valve lines to prevent ingress into systems



C=Hex A/F



BALL VALVE ASSEMBLY

ITEM	COMPONENT	MATERIAL
1	END CAP	316 S 11
2	BODY	316 S 11
3	BODY SEAL	PTFE/VITON
4	POPPET SEAL	VITON
5	POPPET	316 S 11
6	SPRING	316 S 11

A1=O/Length for CCV-X versions
D = Cracking Pressure - psi/Bar

Valve Size	A		A1	B	C	Wt Kgs
	BSPP	TAPER				
04-1/8"	58	58	58	8	26	0.15
08-1/4"	58	58	58	8	26	0.15
10-3/8"	93	94	101	10	31	0.52
15-1/2"	97	98	105	10	31	0.46
20-3/4"	134	135	150	19	46	2.22
25- 1"	139	140	150	19	52	1.80

700 BAR / 10,000 PSI

BSP	2800110K	2800210K	2800310K	2800410K	2800510K
NPT				2800910K	2801010K
	1/4"	3/8"	1/2"	3/4"	1"
BAR	700	700	700	700	700
LPM	20	25	25	100	100
£	£58.70	£65.50	£65.50	£158.00	£180.60
€	€88.00	€98.20	€98.20	€237.00	€270.90

316 Stainless Steel Check Valves

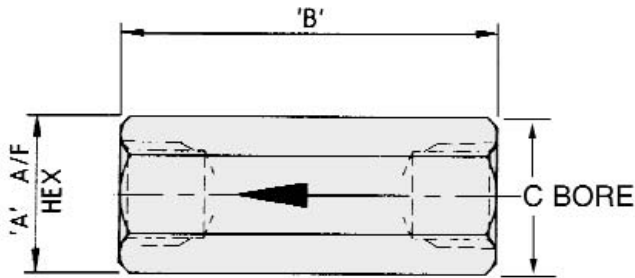
700 BAR / 10000 PSI RATED

MATERIALS

BODY	=	316 STAINLESS STEEL
SEAL	=	VITON
POPPET	=	316 STAINLESS STEEL
TEMP. RANGE	=	-40 TO +140°C
THREAD	=	BSP / NPT FEMALE
SEAL/SEAT	=	VITON



Dimensions



SIZE	MAX PRESSURE	CRACKING PRESSURE	A	B	C	WEIGHT kg
1/4"	700 BAR	0.5 BAR	22	58.7	8	0.2
3/8"	700 BAR	0.5 BAR	28	63.5	10	0.3
1/2"	700 BAR	0.5 BAR	28	77.7	10	0.3
3/4"	400 BAR	0.27 BAR	42	92.2	19	0.8
1"	400 BAR	0.27 BAR	52	106.5	19	0.9

ARTICLE NO.	NPT	94101	94102	94103	CV75S	CV10S							
SIZE	NPT	1/4"	3/8"	1/2"	3/4"	1"							
MAX PRESSURE	BAR	700	700	700	400	400							
MAX FLOW	LPM	25	25	25	100	100							
PRICE	£	£45.30	£49.30	£54.10	£79.50	£122.40							
EURO	€	€63.40	€69.00	€75.70	€111.30	€171.40							